



Designation: D6079 – 22

# Standard Test Method for Evaluating Lubricity of Diesel Fuels by the High-Frequency Reciprocating Rig (HFRR)<sup>1</sup>

This standard is issued under the fixed designation D6079; the number immediately following the designation indicates the year of original adoption or, in the case of revision, the year of last revision. A number in parentheses indicates the year of last reappraisal. A superscript epsilon ( $\epsilon$ ) indicates an editorial change since the last revision or reappraisal.

## 1. Scope\*

1.1 This test method covers the evaluation of the lubricity of diesel fuels using a high-frequency reciprocating rig (HFRR).

1.2 This test method is applicable to middle distillate fuels, such as Grades No. 1-D S15, S500, and S5000, and Grades No. 2-D S15, S500, and S5000 diesel fuels, in accordance with Specification [D975](#); and other similar petroleum-based fuels which can be used in diesel engines. This test method is applicable to biodiesel blends. B5 was included in the round robin program that determined the precision statement.

NOTE 1—It is not known that this test method will predict the performance of all additive/fuel combinations. Additional work is underway to establish this correlation and future revisions of this test method may be necessary once this work is complete.

1.3 The values stated in SI units are to be regarded as standard. No other units of measurement are included in this standard.

1.4 *This standard does not purport to address all of the safety concerns, if any, associated with its use. It is the responsibility of the user of this standard to establish appropriate safety, health, and environmental practices and determine the applicability of regulatory limitations prior to use.* Specific warning statements are given in Section 7.

1.5 *This international standard was developed in accordance with internationally recognized principles on standardization established in the Decision on Principles for the Development of International Standards, Guides and Recommendations issued by the World Trade Organization Technical Barriers to Trade (TBT) Committee.*

<sup>1</sup> This test method is under the jurisdiction of ASTM Committee [D02](#) on Petroleum Products, Liquid Fuels, and Lubricants and is the direct responsibility of Subcommittee [D02.E0](#) on Burner, Diesel and Non-Aviation Gas Turbine Fuels.

Current edition approved Dec. 1, 2022. Published January 2023. Originally approved in 1999. Last previous edition approved in 2018 as D6079 – 18. DOI: 10.1520/D6079-22.

This test method was developed by ISO/TC22/SC7/WG6 and is a part of ISO 12156.

## 2. Referenced Documents

2.1 *ASTM Standards*:<sup>2</sup>

[D975 Specification for Diesel Fuel](#)

[D4057 Practice for Manual Sampling of Petroleum and Petroleum Products](#)

[D4175 Terminology Relating to Petroleum Products, Liquid Fuels, and Lubricants](#)

[D4177 Practice for Automatic Sampling of Petroleum and Petroleum Products](#)

[D4306 Practice for Aviation Fuel Sample Containers for Tests Affected by Trace Contamination](#)

[D6078 Test Method for Evaluating Lubricity of Diesel Fuels by the Scuffing Load Ball-on-Cylinder Lubricity Evaluator \(SLBOCLE\) \(Withdrawn 2021\)](#)<sup>3</sup>

[E18 Test Methods for Rockwell Hardness of Metallic Materials](#)

[E92 Test Methods for Vickers Hardness and Knoop Hardness of Metallic Materials](#)

2.2 *SAE Standard*:<sup>4</sup>

[SAE-AMS 6440 Steel, Bars, Forgings, and Tubing, 1.45 Cr \(0.93-1.05C\) \(SAE 52100\), for Bearing Applications](#)

2.3 *ISO Standard*:<sup>5</sup>

[ISO 3290 Roller Bearings, Balls – Dimensions and tolerances](#)

## 3. Terminology

3.1 *Definitions*:

3.1.1 For definitions of terms used in this test method, refer to Terminology [D4175](#).

<sup>2</sup> For referenced ASTM standards, visit the ASTM website, [www.astm.org](http://www.astm.org), or contact ASTM Customer Service at [service@astm.org](mailto:service@astm.org). For *Annual Book of ASTM Standards* volume information, refer to the standard's Document Summary page on the ASTM website.

<sup>3</sup> The last approved version of this historical standard is referenced on [www.astm.org](http://www.astm.org).

<sup>4</sup> Available from SAE International (SAE), 400 Commonwealth Dr., Warrendale, PA 15096-0001, <http://www.sae.org>.

<sup>5</sup> Available from American National Standards Institute (ANSI), 25 W. 43rd St., 4th Floor, New York, NY 10036, <http://www.ansi.org>.

\*A Summary of Changes section appears at the end of this standard

3.1.2 *boundary lubrication, n*—a condition in which the friction and wear between two surfaces in relative motion are determined by the properties of the surfaces and the properties of the contacting fluid, other than bulk viscosity.

3.1.2.1 *Discussion*—Metal to metal contact occurs and the chemistry of the system is involved. Physically adsorbed or chemically reacted soft films (usually very thin) support contact loads. As a result, some wear is inevitable.

3.1.3 *lubricity, n*—a qualitative term describing the ability of a fluid to affect friction between, and wear to, surfaces in relative motion under load.

3.1.3.1 *Discussion*—In this test method, the lubricity of a fluid is evaluated by the wear scar, in microns, produced on an oscillating ball from contact with a stationary disk immersed in the fluid operating under defined and controlled conditions.

### 3.2 Abbreviations:

3.2.1 *HFRR*—high frequency reciprocating rig

3.2.2 *WSD*—wear scar diameter

## 4. Summary of Test Method

4.1 A 2 mL test specimen of fuel is placed in the test reservoir of an HFRR.

4.2 A vibrator arm holding a nonrotating steel ball and loaded with a 200 g mass is lowered until it contacts a test disk completely submerged in the fuel. When the fuel temperature has stabilized, the ball is caused to rub against the disk with a 1 mm stroke at a frequency of 50 Hz for 75 min.

4.3 The test fuel temperature is maintained at 60 °C and the ambient relative humidity is maintained between 30 % and 85 %.

4.4 At the conclusion of the test, the upper specimen holder is removed from the vibrator arm and cleaned. The image of the wear scar is captured using the microscope digital camera, and the dimensions of the major and minor axes of the wear scar are measured and recorded.

## 5. Significance and Use

5.1 Diesel fuel injection equipment has some reliance on lubricating properties of the diesel fuel. Shortened life of engine components, such as diesel fuel injection pumps and injectors, has sometimes been ascribed to lack of lubricity in a diesel fuel.

5.2 The trend of HFRR test results to diesel injection system pump component distress due to wear has been demonstrated in pump rig tests for some fuel/hardware combinations where boundary lubrication is believed to be a factor in the operation of the component.<sup>6</sup>

5.3 The wear scar generated in the HFRR test is sensitive to contamination of the fluids and test materials, the temperature of the test fuel, and the ambient relative humidity. Lubricity evaluations are also sensitive to trace contaminants acquired during test fuel sampling and storage.

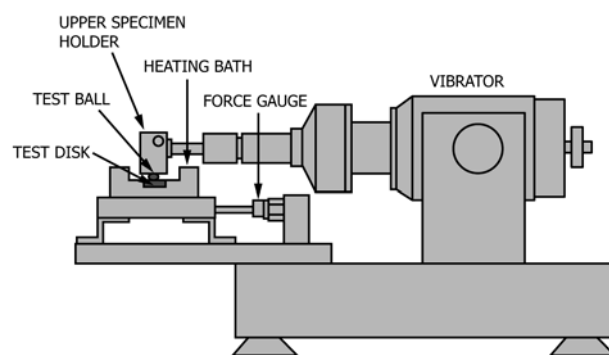


FIG. 1 Schematic Diagram of HFRR (not including instrumentation)

5.4 The HFRR and Scuffing Load Ball on Cylinder Lubricity Evaluator (SLBOCLE, Test Method D6078) are two methods for evaluating diesel fuel lubricity. No absolute correlation has been developed between the two test methods.

5.5 The HFRR may be used to evaluate the relative effectiveness of diesel fuels for preventing wear under the prescribed test conditions. Correlation of HFRR test results with field performance of diesel fuel injection systems has not yet been determined.

5.6 This test method is designed to evaluate boundary lubrication properties. While viscosity effects on lubricity in this test method are not totally eliminated, they are minimized.

## 6. Apparatus

6.1 *High-Frequency Reciprocating Rig (HFRR)*,<sup>7,8</sup>(see Fig. 1) capable of rubbing a steel ball loaded with a 200 g mass against a stationary steel disk completely submerged in a test fuel. The apparatus uses a 1 mm stroke length at a frequency of 50 Hz for 75 min. Complete operating conditions are listed in Table 1.

6.2 *Test Reservoir*, capable of holding a test disk in a rigid manner beneath the test fuel. The temperature of this reservoir, and consequently the test fuel contained in it, is maintained by means of a closely attached electrically controlled heater pad.

6.3 *Control Unit*<sup>7,8</sup>for controlling stroke length, frequency, test reservoir temperature, friction force, electrical contact potential, and test duration, with an electronic data acquisition and control system.

6.4 *Microscope, with Digital Camera*<sup>7,8</sup>capable of 100× magnification, installed and calibrated according to manufacturer instructions, capable of capturing a crisp image of the wear scar. Camera system resolution should be a minimum of 2048 × 1536 pixels. The measurement system should allow horizontal and vertical measurement devices or cursors to be positioned at the wear scar boundaries with an accuracy of 1 micron.

<sup>7</sup> The sole source of supply of the apparatus known to the committee at this time is PCS Instruments, 78 Stanley Gardens, London W3 7SZ, England.

<sup>8</sup> If you are aware of alternative suppliers, please provide this information to ASTM International Headquarters. Your comments will receive careful consideration at a meeting of the responsible technical committee,<sup>1</sup> which you may attend.

<sup>6</sup> Nikanjam, M., Crosby, T., Henderson, P., Gray, C., Meyer, K, and Davenport, N., "ISO Diesel Fuel Lubricity Round Robin Program," SAE, Paper No. 952372, SAE Fuels and Lubricants Meeting, Oct. 16-19, 1995, Toronto, Canada.

**TABLE 1 Test Conditions**

Fluid volume	2 mL ± 0.20 mL
Stroke length	1 mm ± 0.02 mm
Frequency	50 Hz ± 1 Hz
Fluid temperature	60 °C ± 2 °C
Relative humidity	between 30 % and 85 %
Applied load	200 g ± 1 g
Test duration	75 min ± 0.1 min
Bath surface area	6 cm <sup>2</sup> ± 1 cm <sup>2</sup>

6.5 *Cleaning Bath*, ultrasonic seamless stainless steel tank with adequate capacity and a cleaning power of 40 W or greater.

6.6 *Desiccator*, capable of storing test disks, balls, and hardware.

## 7. Reagents and Materials

7.1 *Acetone*, reagent grade (**Warning**—Extremely flammable. Vapors may cause flash fire).

7.2 *Compressed Air*, containing less than 0.1 ppmv hydrocarbons and 50 ppmv water. (**Warning**—Compressed gas under high pressure. Use with extreme caution in the presence of combustible material.)

7.3 *Gloves*, appropriate for the reagents used.

7.4 *Reference Fluids*:

7.4.1 *Fluid A*<sup>9</sup>—High lubricity reference (**Warning**—Flammable). Store in clean, borosilicate glass with an aluminum foil-lined insert cap or a fully epoxy-lined metal container. Store in dark area.

7.4.2 *Fluid B*<sup>9</sup>—Low lubricity reference (**Warning**—Flammable. Vapor harmful). Store in clean, borosilicate glass with an aluminum foil-lined insert cap or a fully epoxy-lined metal container. Store in a dark area.

7.5 *Heptane*, reagent grade (**Warning**—Extremely flammable. Vapors may cause flash fire.)

7.6 *Isooctane*, reagent grade (**Warning**—Extremely flammable. Vapors may cause flash fire.)

7.7 *2-propanol*, reagent grade (**Warning**—Extremely flammable. Vapors may cause flash fire.)

7.8 *Test Ball*, (Grade 28 per ISO 3290) of SAE-AMS 6440 steel, with a diameter of 6.00 mm, having a Rockwell hardness “C” scale (HRC) number of 58 - 66, in accordance with Test Methods E18.

7.8.1 Test balls are an extremely important part of the process and can significantly affect results. An equivalency evaluation was conducted on test balls and test disks and can be found in ASTM Research Report RR: RR:D02-1890.<sup>10</sup>

7.9 *Test Disk*,—10 mm disk of SAE-AMS 6440 steel machined from annealed rod, having a Vickers hardness “HV 30,”

<sup>9</sup> Reference Fluids A and B are available from ASTM Test Monitoring Center, 203 Armstrong Drive, Freeport, PA 16229.

<sup>10</sup> Supporting data have been filed at ASTM International Headquarters and may be obtained by requesting Research Report RR:D02-1890. Contact ASTM Customer Service at service@astm.org.

in accordance with Specification E92, a scale number of 190-210, turned, lapped, and polished to a surface finish of less than 0.02 μm R<sub>a</sub>.

7.9.1 Test disks are an extremely important part of the process and can significantly affect results. An equivalency evaluation was conducted on test balls and test disks and can be found in ASTM Research Report RR: RR:D02-1890.<sup>10</sup>

NOTE 2—Users are encouraged to request a certificate of conformance demonstrating that test balls and test disks meet the requirements listed in 7.8 and 7.9.

7.10 *Wiper*, wiping tissue, light-duty, lint-free, hydrocarbon-free, disposable.

## 8. Sampling and Sample Containers

8.1 Unless otherwise specified, samples shall be taken by the procedure described in Practice D4057 or Practice D4177.

8.2 Because of the sensitivity of lubricity measurements to trace materials, sample containers shall be only fully epoxy-lined metal, amber borosilicate glass, or polytetrafluorethylene (PTFE), cleaned and rinsed thoroughly at least three times with the product to be sampled before use, as specified under Containers for Lubricity Testing in Practice D4306.

8.3 New sample containers are preferred, but if not available, the Containers for Lubricity Testing section of Practice D4306 gives guidance on suitable cleaning procedures for each type of container.

## 9. Preparation of Apparatus

9.1 *Test Disks*, (as received):

9.1.1 Place disks in a clean beaker. Transfer a sufficient volume of heptane or 50/50 *isooctane*/2-propanol into the beaker to completely cover the test disks.

9.1.2 Place beaker in ultrasonic cleaner and turn on for 7 min.

9.1.3 Handle all clean test pieces with clean forceps. Remove the test discs and repeat the above cleaning procedure from 9.1.1 with acetone for 2 min.

9.1.4 Dry and store in desiccator.

NOTE 3—Drying operations can be accomplished using compressed air jet at 140 kPa to 210 kPa-pressure.

9.2 *Test Balls*, (as received)—The test balls are to be cleaned following the same procedure, 9.1.1 to 9.1.4, as for the test disks.

9.3 *Hardware*—All hardware and utensils that come into contact with the test disks, test balls, or test fuel, shall be cleaned by washing thoroughly with heptane or 50/50 *isooctane*/2-propanol, rinsed with acetone, and dried.

## 10. Test Apparatus Inspection and Verification

10.1 *Recommended Calibration Intervals*:

10.1.1 Stroke length—every three months.

10.1.2 Temperature probes—every twelve months.

10.2 *Test Apparatus*—Verify test apparatus performance and accuracy at least every 20 tests by testing each reference fluid in accordance with this section. Perform one test with each reference fluid. If the WSD for either fluid is outside the